



**ID Lock 5000
Code Lock
Instruction Manual**

iDTRONIC GmbH
Donnersbergweg 1
67059 Ludwigshafen
Germany/Deutschland

Phone: +49 621 6690094-0
Fax: +49 621 6690094-9
E-Mail: info@idtronic.de
Web: idtronic.de

Issue 0.1
– 25. June 2018 –

Subject to alteration without prior notice.
© Copyright iDTRONIC GmbH 2018
Printed in Germany

Contents

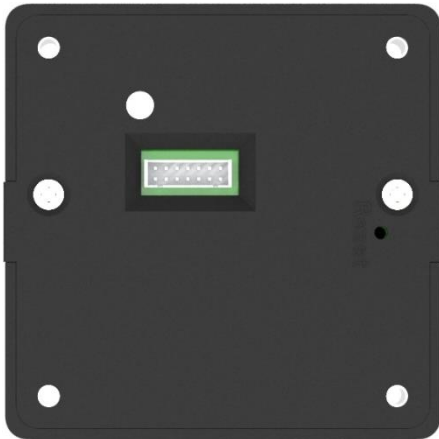
1	Product Appearance	4
1.1	Panel Appearance	4
1.2	Lock Body Appearance.....	4
2	Dimensional Drawings	5
2.1	Panel dimension	5
2.2	Lock body dimension	5
2.3	Hook dimension	5
2.4	Installation Dimensions	6
2.4.1	Lock Body Installation	6
2.4.2	Lock Panel Installation	6
2.4.3	Hook Installation	6
3	Installation	7
3.1	Ordinary cabinet door.....	7
3.2	Sliding cabinet door	7
4	Product Functions	8
5	Operation	9
5.1	System Initialisation	9
5.2	Setting cards	9
5.3	Setting Code.....	9
5.4	Change lock mode.....	10
5.5	Change Key mode	10
5.6	Hook warning function	11
5.7	Buzzer function	11
5.8	Lock mode.....	11
5.9	Emergency unlocking.....	11
5.10	Warm tips	11
6	Installation and Test	12
7	Technical Data	12

1 Product Appearance

1.1 Panel Appearance

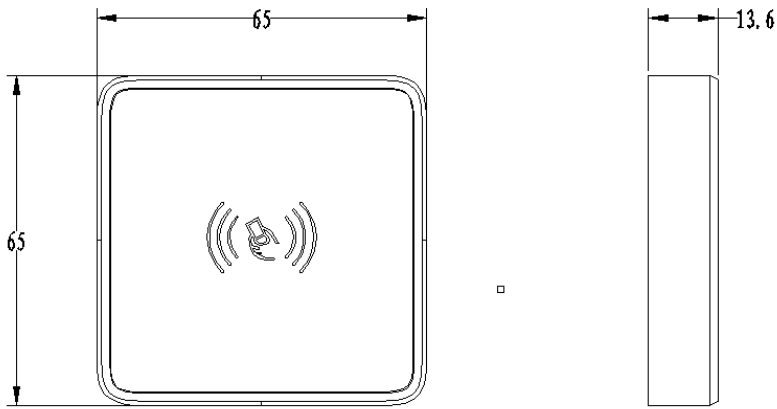


1.2 Lock Body Appearance

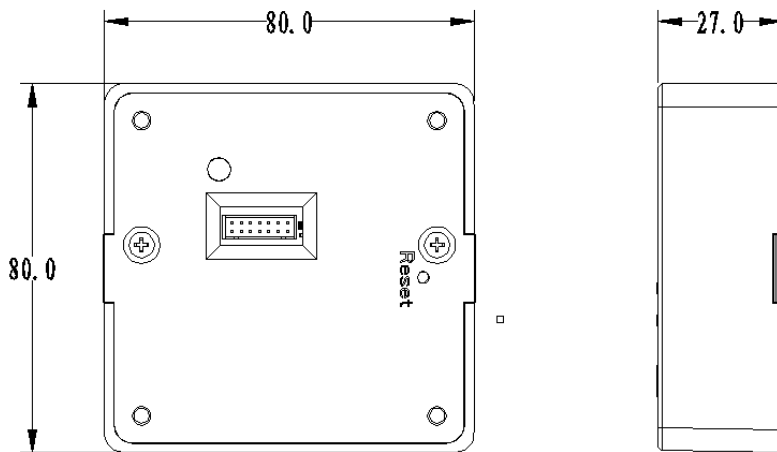


2 Dimensional Drawings

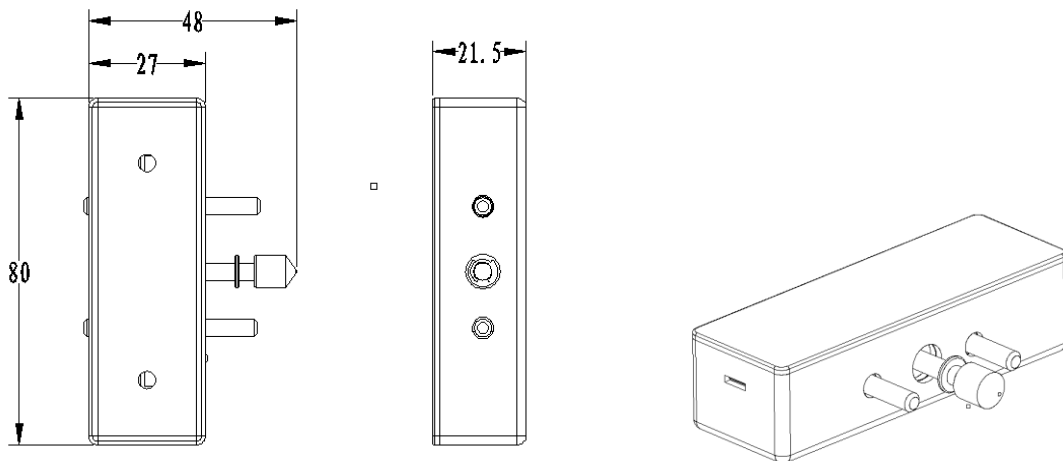
2.1 Panel dimension



2.2 Lock body dimension

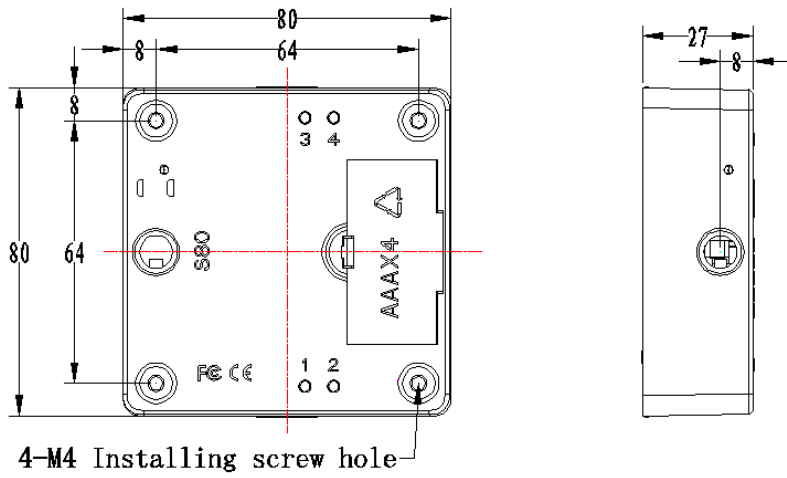


2.3 Hook dimension

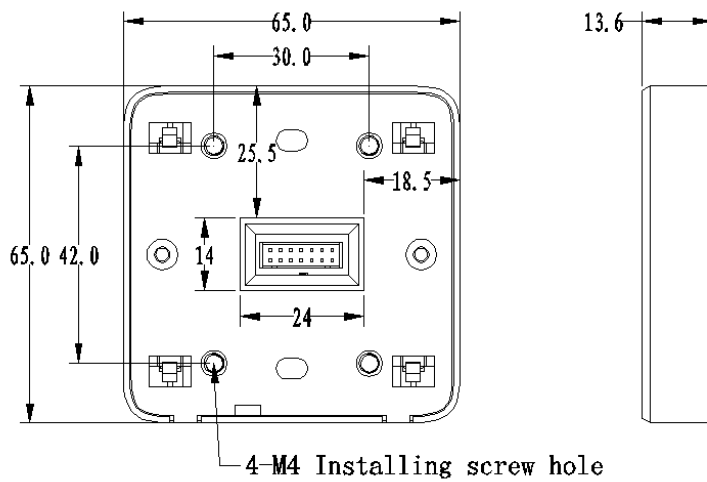


2.4 Installation Dimensions

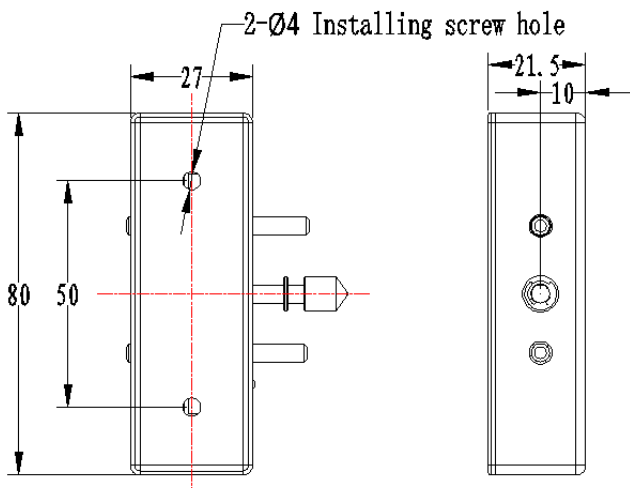
2.4.1 Lock Body Installation



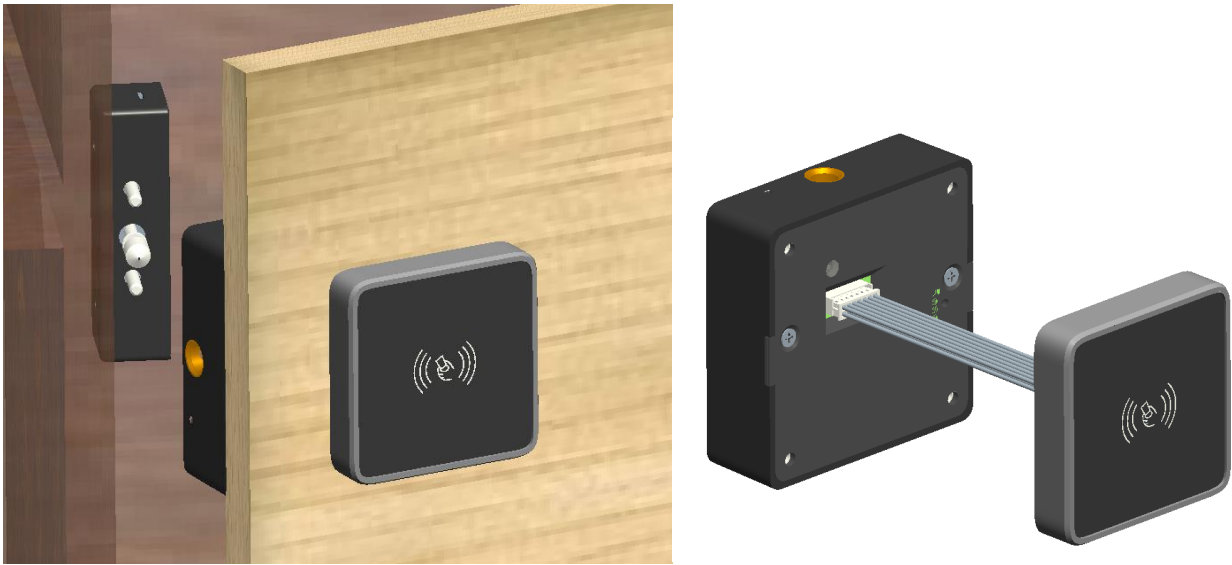
2.4.2 Lock Panel Installation



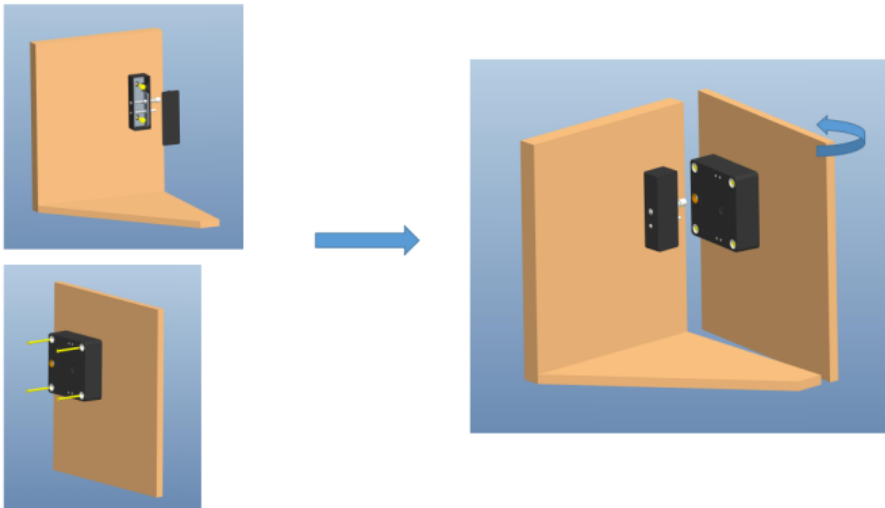
2.4.3 Hock Installation



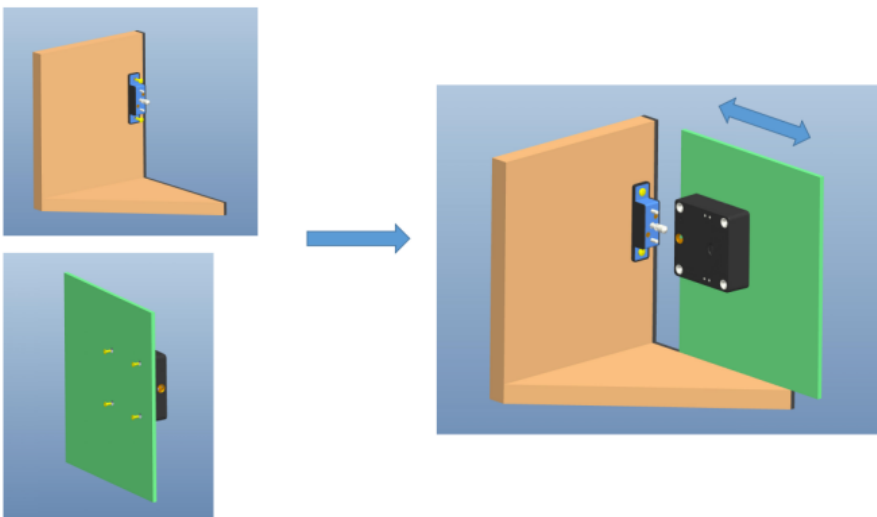
3 Installation



3.1 Ordinary cabinet door



3.2 Sliding cabinet door



4 Product Functions

Functions	Features
Sound Prompt	Lock will make sound when press keys, battery is low voltage, correct/wrong key is input and unlocking for a long time
Light Prompt	Green: means correct
	Red: means incorrect
	Blue: means low voltage
	White: standby condition
Low Voltage Warning	When battery's voltage is lower than 4.5V, light will shine in blue and lock sounds "di di" to remind user change new batteries
	When voltage is less than 4V, lock can't be locked until change new batteries.
	Lock can work normally 1000 times after low voltage warning
Lock Hook Warning	Lock will keep warning 10s if it's keep unlocking more than 30s.
	Lock hook warning function only exist in Private mode.
Double Key Unlock	Factory setting: single key, public mode
	Use one correct code/card, light will shine in green. And use another code/card. No order request.
	The properties of two cards can't be same. Eg: can't use two user cards.
Attack Protection	Input wrong code/swipe wrong card, lock will shine in red twice and prompt with "di di". Wrong for 5 times continuously, lock will be unavailable for 5mins. Use management card/code can make it available. During unavailable period, input any code/swipe any card lock will prompt with "di di di di di" and light shines in red. After 5mins lock will be available.
Micro USB for emergency power supply (on panel)	When it's out of power, user can connect micro USB to supply power to lock
Management card	Management card is used for setting user card & service card. And under public mode, it can be used for unlocking.
Delete card	Delete card is used for delete user card and service card. Swipe it can delete all cards except management card. Can't unlock.
Management code	Management code used for emergency unlocking. After using user code will be initialized.
Messy code function	User can add any code before/after correct code. Correct code must be input uninterruptedly
	Public mode don't have this function
One Time Password (OTP)	If user forget all codes, can contact us to get an OTP and input it to unlock. One time use only.
	Lock will be initialized after using OTP. But mode is unchanged.

5 Operation

5.1 System Initialisation

Functions	Operation
Initialization (2 ways)	<p>Keep pressing “reset” key for 2s, lock will prompt with “di di di” and light shines in green twice.Initializing successfully</p> <p>Input “*+#9+#” , lock will prompt with “di di” and light shines in green fast. Input “management code+#” light shines slower. And input “management code+#” lock will prompt with “di di di” Initializing successfully. (Total is: *+#9+#+management code+#+management code+#)</p>

5.2 Setting cards

Functions	Operation
Set management card	Keep pressing “1”button for 1s, lock will prompt with “di”and light shine in green. Swipe a card, it will prompt with “di” and LED keep lighting in green for 1s. This card is management card.(one lock can have only one management card)
Set delete card	Keep pressing “2”button for 1s, lock will prompt with “di”and light shine in green. Swipe a card, it will prompt with “di” and LED keep lighting in green for 1s. This card is delete card.(one lock can have only one delete card)
Set user card	Swipe management card, lock will prompt with “di”and light shine in green slowly. (during green light shining, can set multiple user cards) Swipe any card, if lock prompt “di” and LED keep lighting in green for 1s, this card is user card.If lock prompt with “di di” and light shine in red, set failed.
Set service card (Double key mode only)	Swipe management card twice, lock will prompt with “di”and light shine in green slowly.(during green light shining, can set multiple service cards) Swipe an empty card. If lock prompt with “di”, LED keep lighting green for 1s, this card is service card. If lock prompt with “di di” and light shine in red, set failed.

Note: One lock can have at most 50 cards.

5.3 Setting Code

Functions	Operation
change management code Factory setting: 0000	Input “*+#1+#”,lock will prompt with: “di di”and LED shines in green fast. Then input “original management code +#”, LED shines in green slower. And input “new management code+#” twice, lock will prompt with “di” and green light on for 1s. Change management code successfully. (Total is *+#1+#+original management code+#+new management code+#+new management code+#) (management code must be consist of 4~8 digits, can’t be more or less than this digits)
Change User code Factory setting: 1111. The second code of double key mode: 2222	Input “*+#0+#”,lock will prompt with: “di di”and LED shines in green fast. Then input “original user code +#”, LED shines in green slower. And input “new user code+#” twice, lock will prompt with “di” and green light on for 1s. Change management code successfully. (Total is *+#1+#+original user code+#+new user code+#+new management code+#) (User code must be consist of 4~8 digits, can’t be more or less than this digits)
Messy code protection	activate messy code protection Input “*+#5+#”, lock will prompt with “di di” and LED shines in green fast. Then input “management code +#”, LED shines in green slower. And input “0+#”, lock will prompt with “di” and activate messy code protection

	successfully. (Total is *+#5+#management code+#0+#)
	deactivate messy code protection Input “*+#5+#”, lock will prompt with “di di” and LED shines in green fast. Then input “management code + #”, LED shines in green slower. And input “1+#”, lock will prompt with “di” and activate messy code protection successfully. (Total is *+#5+#management code+#1+#)
One Time Password (OTP) for emergency	Input OTP provided by factory+#

5.4 Change lock mode

Functions	Operation
Public mode	Keep pressing button “3” for 1s, motor turn, lock prompts with “di” and LED shine once. Change to temporary public mode successfully.
	Input “*+#2+#”, lock prompts with “di di” and LED shines in green fast. Then input “management code + #”, LED shines slower. Then input “0+#”, motor turn, lock prompt with “di” and LED shines in green once. Change to public mode successfully. (Total is: *+#2+#management code+#0+#)
Private mode	Keep pressing button “3” for 1s, motor turn, lock prompts with “di di” and LED shine once. Change to private mode successfully.
	Input “*+#2+#”, lock prompts with “di di” and LED shines in green fast. Then input “management code + #”, LED shines slower. Then input “1+#”, motor turn, lock prompt with “di di” and LED shines in green twice. Change to temporary private mode successfully. (Total is: *+#2+#management code+#1+#)
Limited public e mode	Keep pressing button “3” for 1s, motor turn, lock prompts with “di di di” and LED shine twice. Change to fixed Limited public mode successfully.
	Input “*+#2+#”, lock prompts with “di di” and LED shines in green fast. Then input “management code + #”, LED shines slower. Then input “2+#”, motor turn, lock prompt with “di di di” and LED shines in green twice. Change to limited public mode successfully. (Total is: *+#2+#management code+#2+#)

5.5 Change Key mode

Functions	Operation
Single code mode (2 wayst)	Keep pressing button “4” for 1s, lock prompts with “di” and LED shine once. Change to single mode successfully.
	Input “*+#3+#”, lock prompts with “di di” and LED shines in green fast. Then input “management code + #”, LED shines slower. Then input “0+#”, lock prompt with “di” and LED shines in green once. Change to single code mode successfully. (Total is: *+#3+#management code+#0+#)
Double key mode (2 wayst)	Keep pressing button “4” for 1s, lock prompts with “di di” and LED shine twice. Change to two mode successfully.
	Input “*+#3+#”, lock prompts with “di di” and LED shines in green fast. Then input “management code + #”, LED shines slower. Then input “1+#”, lock prompt with “di di” and LED shines in green twice. Change to Two code mode successfully. (Total is: *+#3+#management code+#1+#)

5.6 Hook warning function

Factory setting: with hook warning function

Functions	Operation
Activate hook warning function (two ways)	Press button “1” & “2” at the same time, Lock will prompt with “di” and LED shine in green once. Activate successfully.
	Input “*#+4+#” , lock will prompt with “di di” and LED shine in green fast. Then input “management code+#” LED shines slower . Input “0+#” , lock will prompt with “di” and LED shine in green once. Activate successfully. (Total is: *#+4+#+management code+#+0+#)
Inactivate hook warning function (two ways)	Press button “1” & “2” at the same time, Lock will prompt with “di di” and LED shine in green Twice. Inactivate successfully.
	Input “*#+4+#” , lock will prompt with “di di” and LED shine in green fast. Then input “management code+#” LED shines slower . Input “1+#” , lock will prompt with “di di” and LED shine in green Twice. Inactivate successfully. (Total is: *#+4+#+management code+#+1+#)

5.7 Buzzer function

Factory setting: activate buzzer function

Functions	Operation
Activate buzzer function	Input “*#+6+#” , lock will prompt with “di di” and LED shine in green fast. Then input “management code+#” LED shines slower . Input “0+#” , lock will prompt with “di” and LED shine in green once. Activate successfully. (Total is: *#+6+#+management code+#+0+#)
Inactivate buzzer function	Input “*#+6+#” , lock will prompt with “di di” and LED shine in green fast. Then input “management code+#” LED shines slower . Input “1+#” , lock will prompt with “di di” and LED shine in green Twice. Inactivate successfully. (Total is: *#+6+#+management code+#+1+#)

5.8 Lock mode

Functions	Operation
Private mode (locked)	Need to set User card, Service card, User code with management code/card before using. Input correct code/swipe correct card can unlock lock, and it will be locked automatically 3s later.
Public mode (unlocked)	Swipe any card or input any user code(4~8 digits) and push the hook within 5s to close the lock. Then lock can only be unlocked by the same card/code . Under this mode, management card/management code can unlock any lock.
Limited public mode (locked)	Need to set User card, Service card, User code with management code/card before using. Lock is locked. Swipe correct card/Input correct code can unlock. And swipe a correct card/input a correct code/press # can close the lock.

5.9 Emergency unlocking

- If lock is out of power, user can connect Micro USB connector on the panel to supply power to lock
- If user forget code, user can use management code or contact us to solve.

5.10 Warm tips

- key “*” means delete. Key “#” means confirm

- In factory setting, User code is "1111" . And second user code is "2222"(under double key mode)
- Every time after using management code, user code will be initialized. Please set new user code in time.
- Please do not put emergency power supply in locker/drawer after using.
- Light shines in blue means batteries are nearly run out, please change new batteries in time.
- Input wrong code/Swipe wrong card for 5 times continuously, lock will be unavailable for 5mins. During unavailable period, input any code/swipe any card lock will prompt with "di di di di di" and light shines in red. After 5mins lock will be available. Also user can use management card/code can make it available.

6 Installation and Test

- After Install according to the "Installation Instruction" ;
- After installing, please test the lock.
- Please test the whole lock and confirm it can work well before close the door.

7 Technical Data

Material	ABS for lock body shell PC for panel
Size	Lock body (L × W × H): 80 × 80 × 27 mm; Lock hook (L × W × H): 75 × 27 × 21.5 mm
Weight	200 g (with lock hook)
Battery	DC 6V (4 × 1.5V AAA size), can be used for app. 1 year
Driven mode	Motor/servo
Static power consumption	100 μA
Dynamic power consumption	200 mA
Warning voltage	4.5 V
Working temperature	-15...+55 °C
Working humidity	5...95 % RH
Working life	Standby mode: 1 year
Anti-Static	Air static 15KV Touch static 8KV
Application	Dormitory storage locker; gym cabinet; swimming pool storage locker; drawer