

## Swing gate WHD-05



### APPLICATIONS

- Fitness Centre
- Indoor swimming pool
- Waterpark
- Wellness Resort
- Theme Park

### FEATURES

- 5 Years warranty
- Remote Panel
- Mechanical Release Key
- Different panel sizes

### RFID OPTIONS

- HF (ISO14443A)

### ► DESCRIPTION

The WHD-05 swing gate is operated from the remote control panel included in a standard delivery set or a wireless remote control (optionally) and can be easily integrated into most access control systems.

To pass in the permitted direction, the entrant has to push the swing panel. Once the passage is complete, the swing panel automatically returns to the home position. Smooth rotation of the swing panel is ensured by a hydraulic damper.

The model features a built-in control unit with power supply, which provides fail-safe operation of the gate.

The standard WHD-05 gate is a bi-directional unit but it may be configured to a single direction gate by means of a mechanical rotation limiter included in the standard delivery set. The limiter allows to set one-way turn of the swing panel and provide one-way electric control.

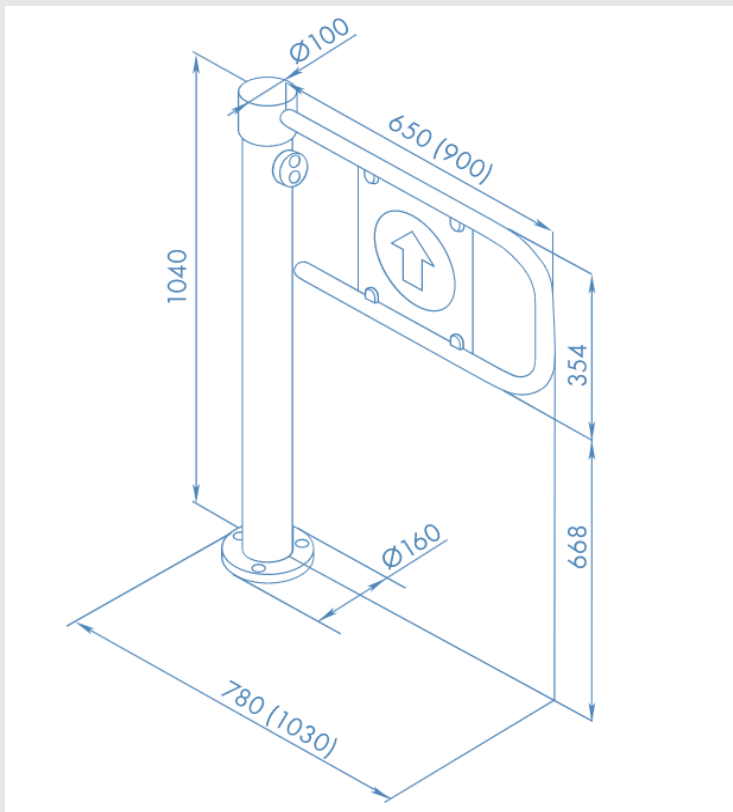
The gate is a normally-open device – in case of power failure the swing panel is opened freely in both directions (except for the direction blocked with mechanical rotation limiter).

► APPLICATION EXAMPLE

OFFICE BUILDING



► DIMENSIONS



## ► CHARACTERISTICS

SPECIFICATIONS	
Operating Voltage	12 V DC
Throughput rate	22 Persons/ min
Passage width	700 mm
Dimension	160×780×1040 mm
Operating Temperature	from +1°C to +55°C
Protection Class	IP41
Housing	Brushed stainless steel

## ► ORDER CODES

VERSION	ORDER CODE
Swing gate for indoor usage	WHD-05
Swing gate for outdoor usage	WHD-05
ACCESSOIRES	ORDER CODE
Optional power supply unit	WHD-05-PS
The swin gates are supplied without panels because of that choose a panel in the table below	
Swing panel 650mm; plastic doublesided info sign	WHD-05-ASG-600
Swing panel 900mm; plastic doublesided info sign	WHD-05-ASG-900

iDTRONIC GmbH  
Donnersbergweg 1  
67059 Ludwigshafen  
GERMANY

Phone +49 (0) 621 66 90 09 4-0  
Fax +49 (0) 621 66 90 09 4-9  
E-Mail: [info@idtronic-secureaccess.de](mailto:info@idtronic-secureaccess.de)  
Web: [idtronic-secureaccess.de](http://idtronic-secureaccess.de)

For further information & prices, please contact [info@idtronic-secureaccess.de](mailto:info@idtronic-secureaccess.de)

Subject to alteration without prior notice  
©2020 iDTRONIC GmbH